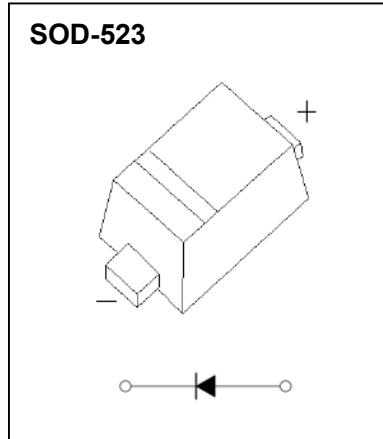


Plastic-Encapsulate Diodes

Schottky barrier Diode

FEATURES

- Small surface mounting type
- Low I_R
- High reliability



MARKING: B



B=Device code
The marking bar indicates the cathode

Maximum Ratings and Electrical Characteristics, Single Diode @Ta=25°C

Parameter	Symbol	Limit	Unit
DC reverse voltage	V_R	30	V
Mean rectifying current	I_O	200	mA
Non-repetitive Peak Forward Surge Current@t=8.3ms	I_{FSM}	1	A
Power dissipation	P_D	150	mW
Thermal resistance junction to ambient	$R_{\theta JA}$	667	°C/W
Operating Junction Temperature Range	T_j	-40 ~ +125	°C
Storage Temperature Range	T_{stg}	-55 ~ +150	°C

Electrical Ratings @Ta=25°C

Parameter	Symbol	Min	Typ	Max	Unit	Conditions
Forward voltage	V_F			0.6	V	$I_F=200mA$
Reverse current	I_R			1	μA	$V_R=10V$



CHINA BASE INTERNATIONAL

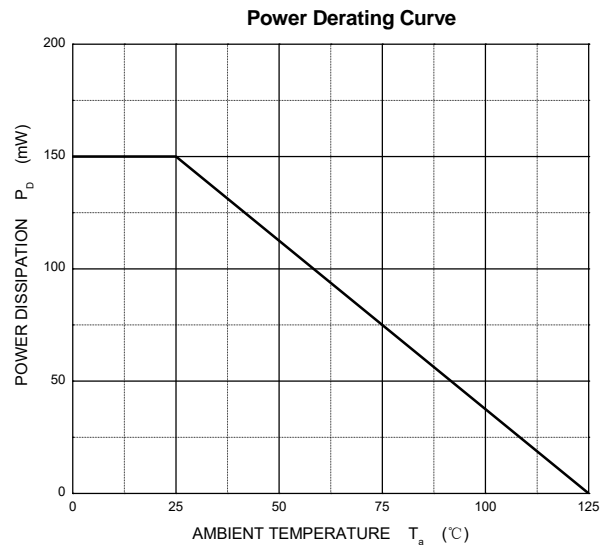
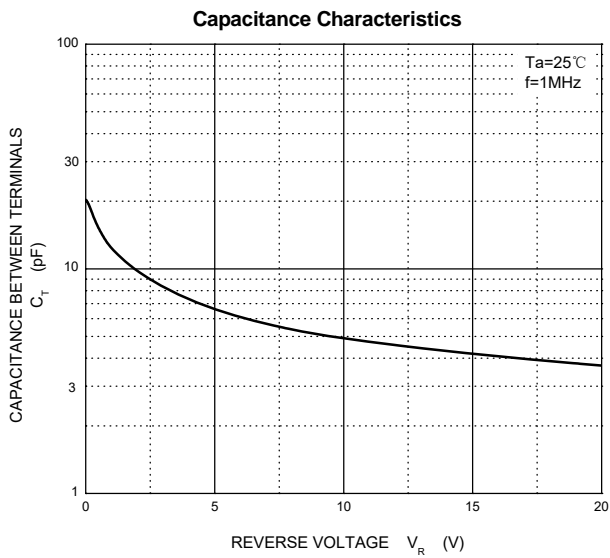
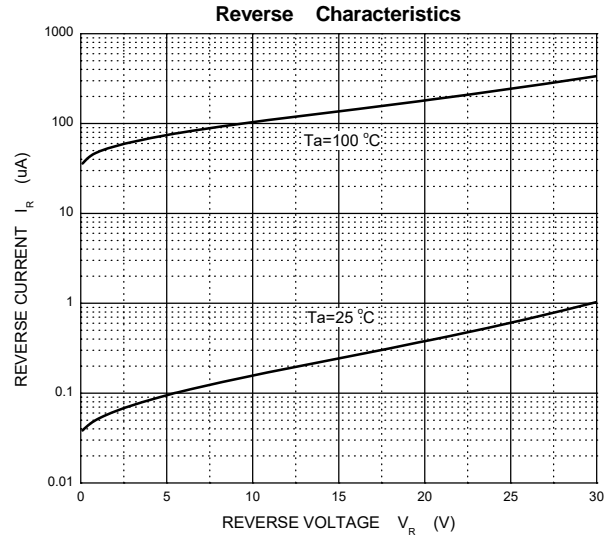
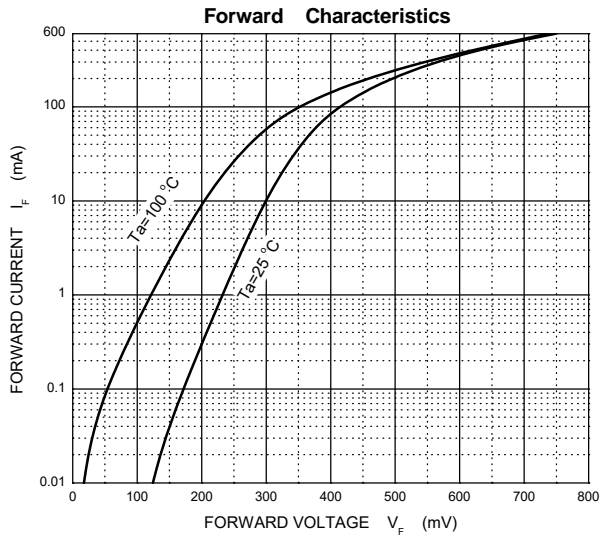
SOD-523



RB520S-30

www.china-base.com.hk

Typical Characteristics





CHINA BASE
INTERNATIONAL

SOD-523



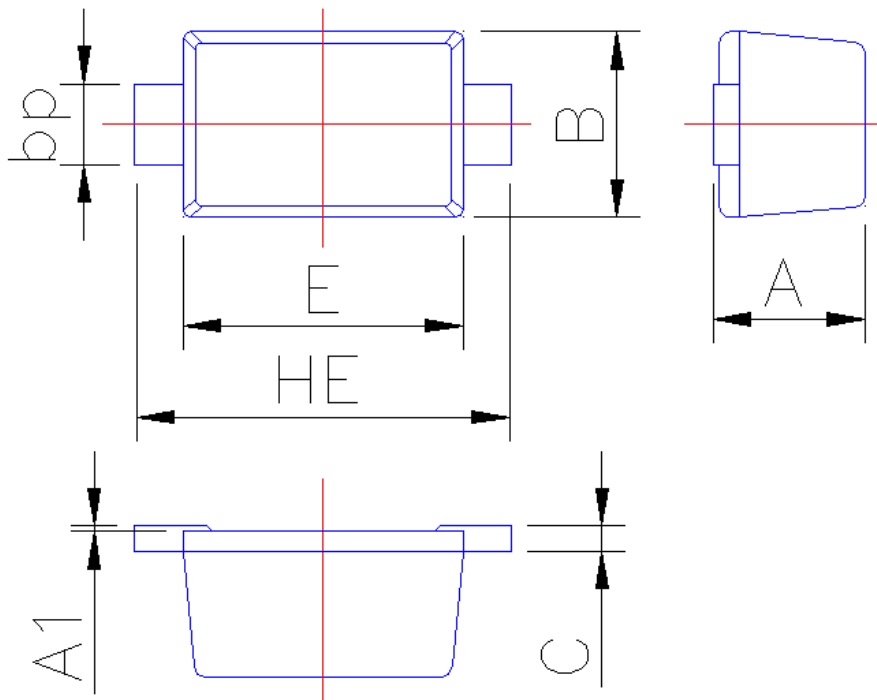
RB520S-30

www.china-base.com.hk

PACKAGE OUTLINE

Plastic surface mounted package; 2 leads

SOD-523



Symbol	Dimension in Millimeters	
	Min	Max
A	0.60	0.70
A1	0	0.05
B	0.75	0.85
bp	0.25	0.40
C	0.09	0.15
E	1.15	1.25
HE	1.50	1.70